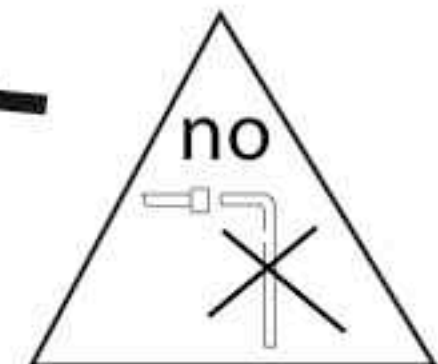
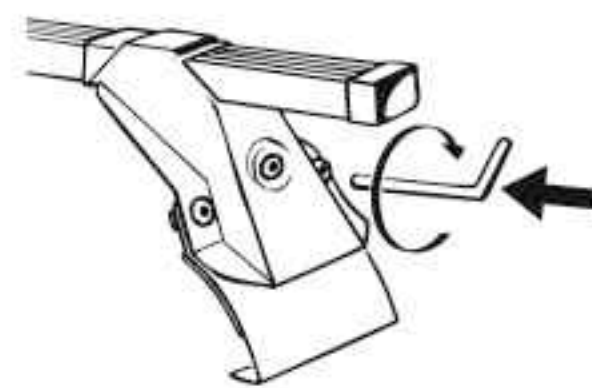
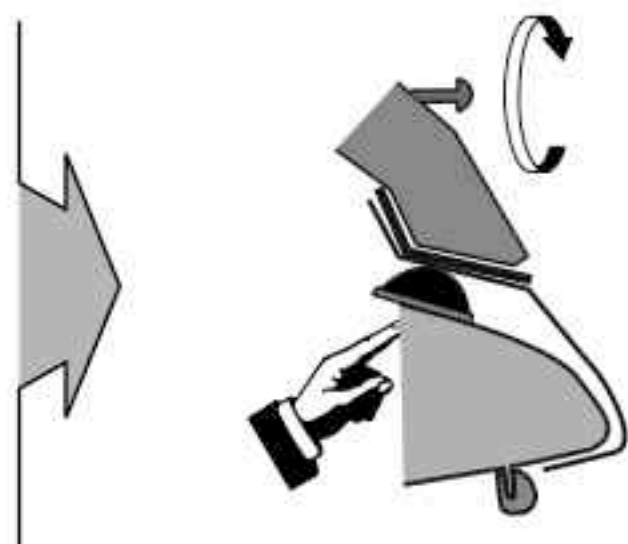
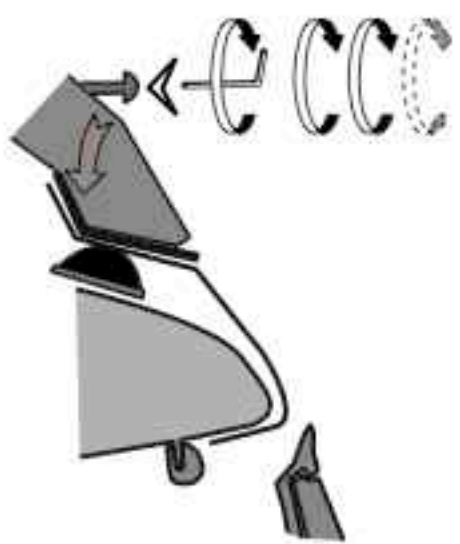
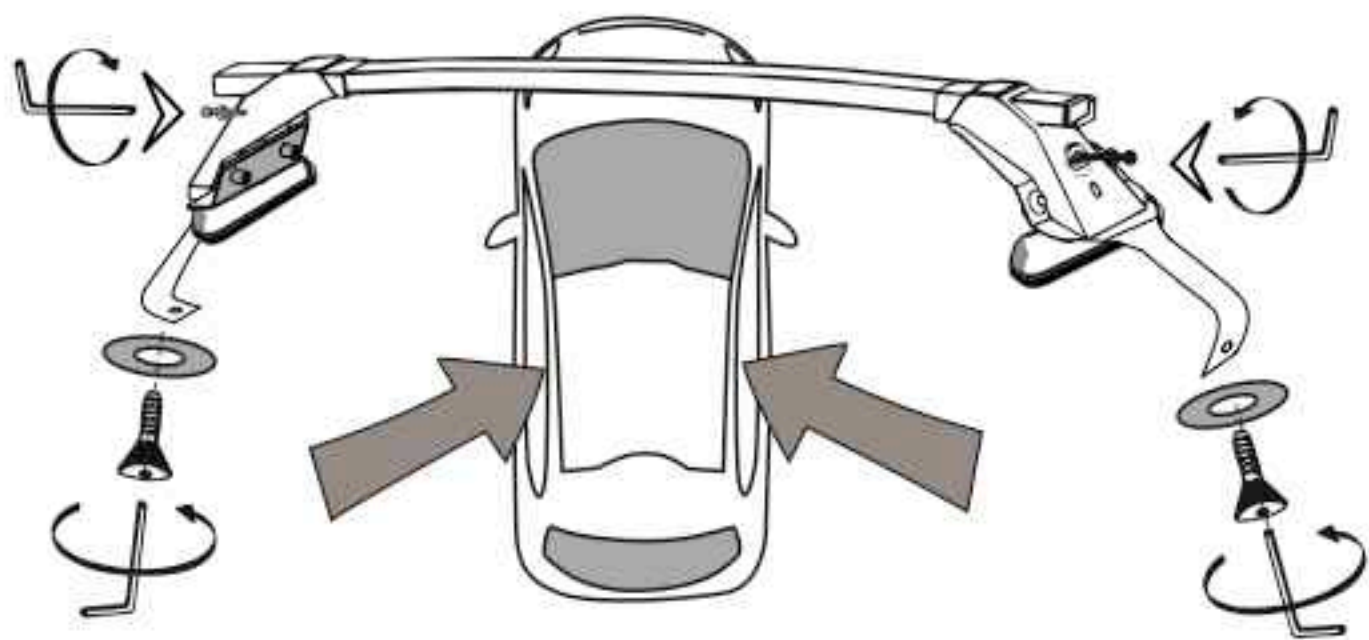
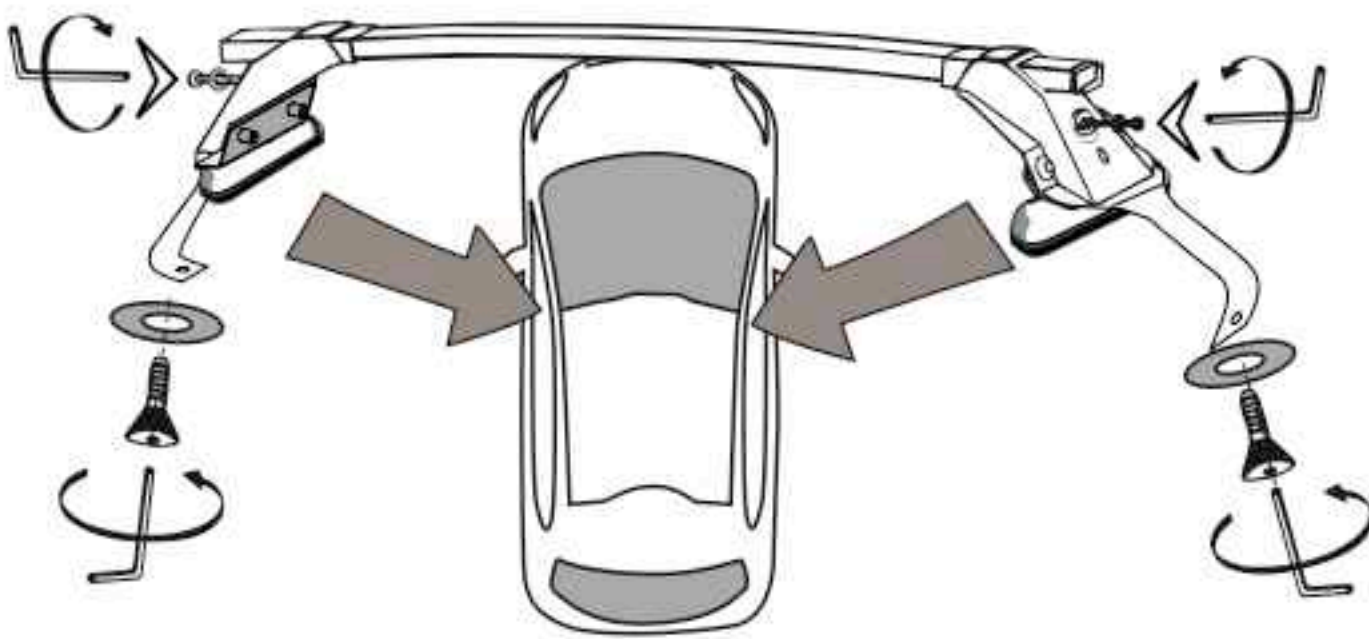
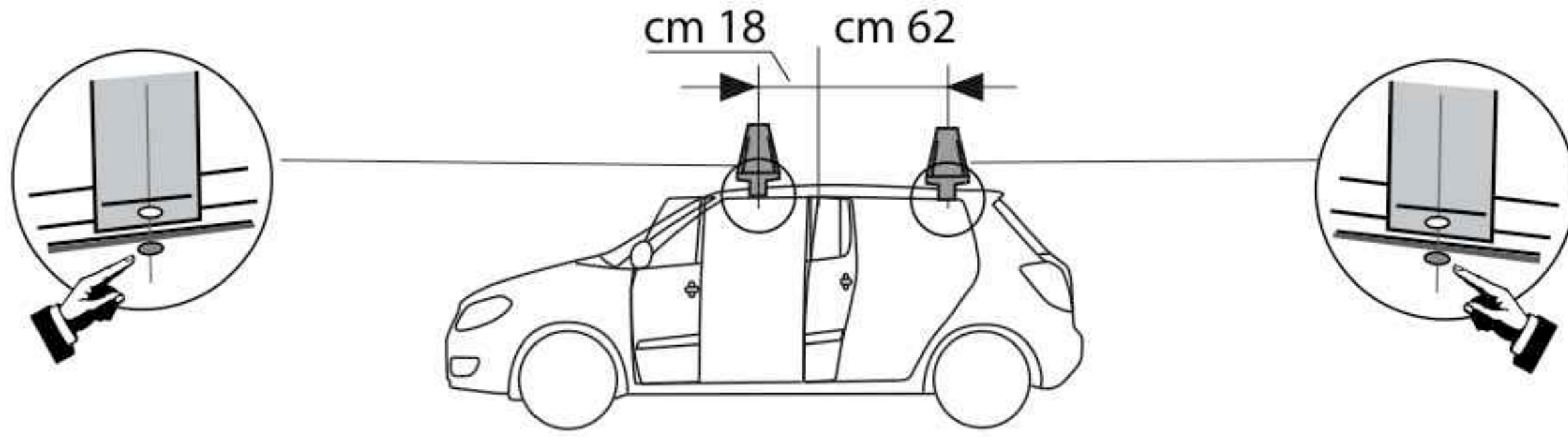


L1338 ŠKODA Fabia model 2007

berlina / hatchback



Patent pending



LA PREALPINA srl

INDUSTRIA ACCESSORI AUTO
10040 VOLVERA (Torino) ITALY

Strada Orbassano, 47

tel. 011 985 06 83, Fax 011 985 72 76

<http://www.laprealpina.net>; e-mail: lp@laprealpina.it

27/07/2012

Rev. 0