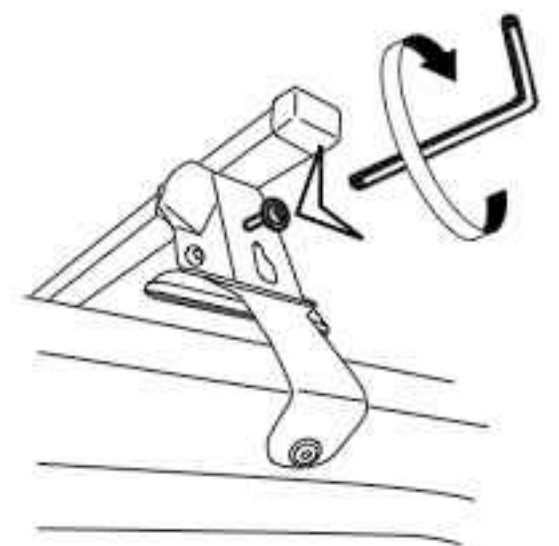
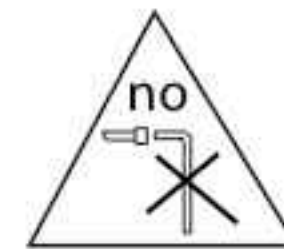
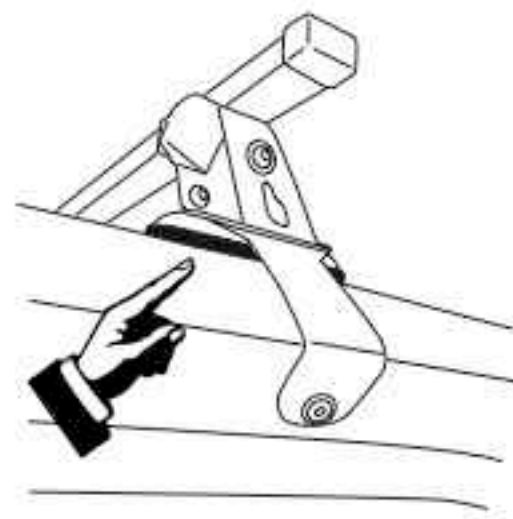
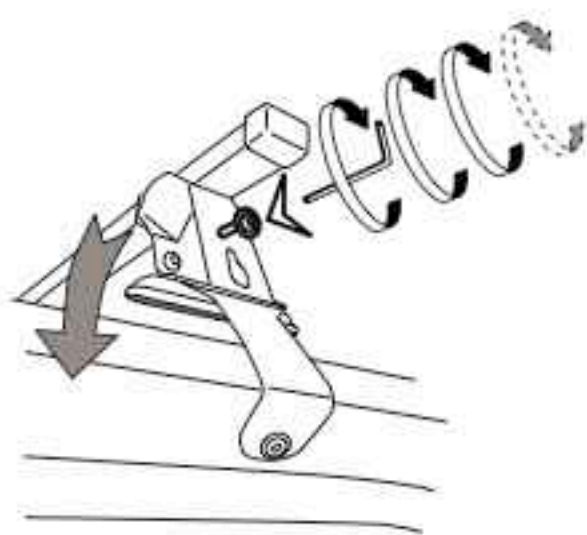
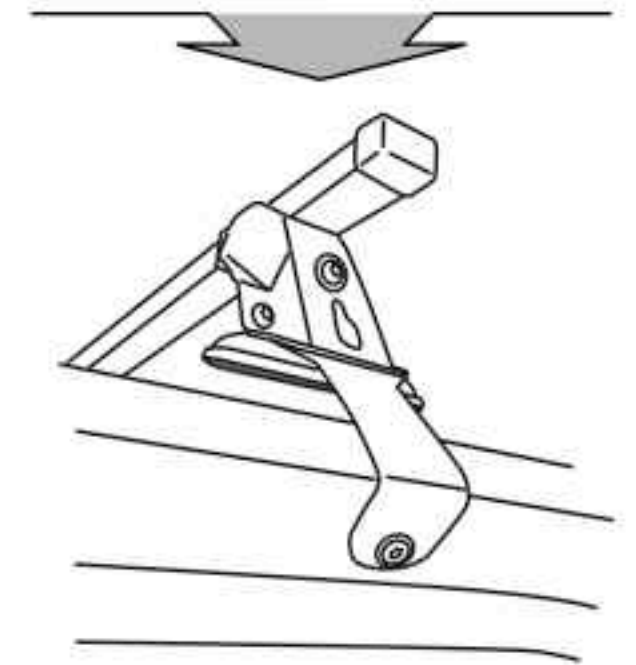
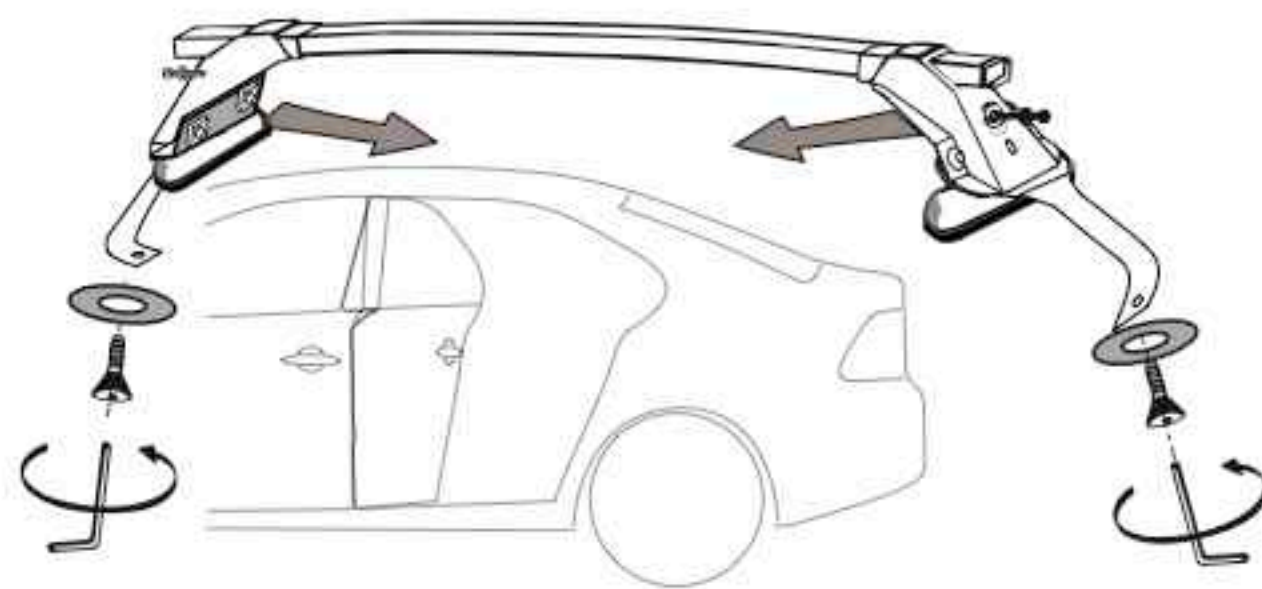
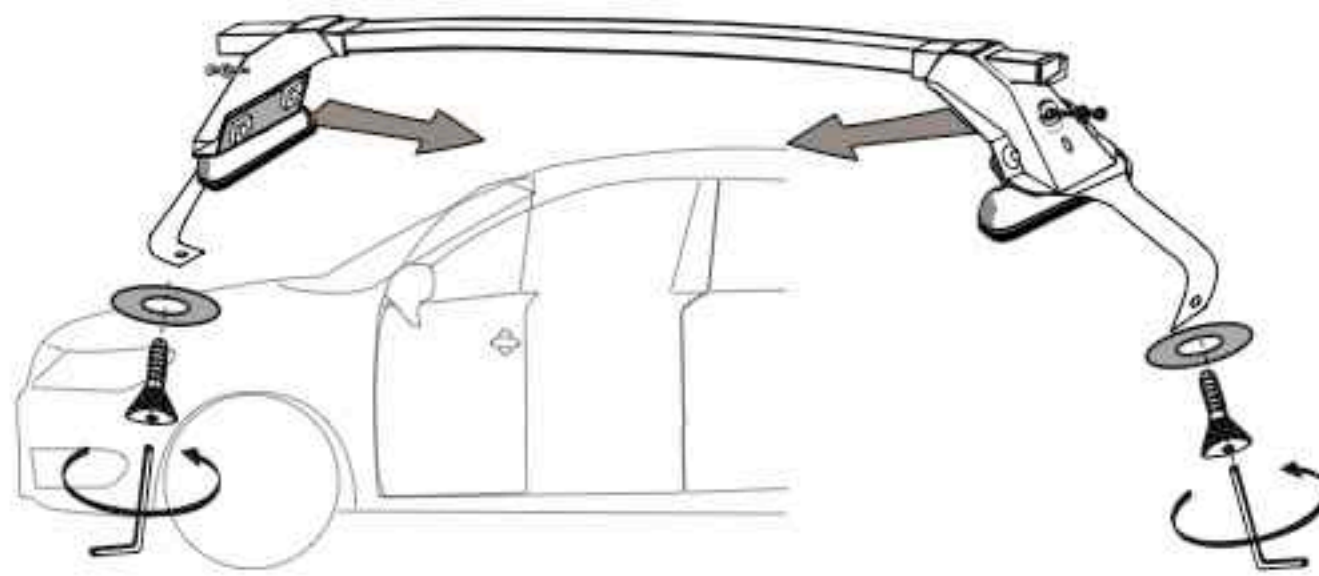
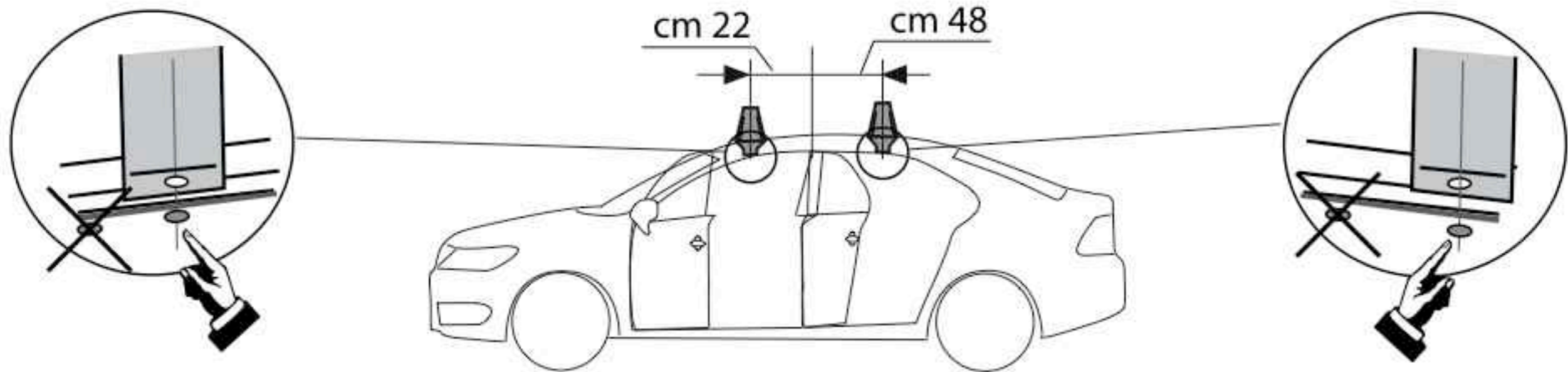


L1352

ŠKODA Rapid model 2012

ŠKODA Rapid Spaceback model 2013

Patent pending



LA PREALPINA srl

INDUSTRIA ACCESSORI AUTO

10040 VOLVERA (Torino) ITALY

Strada Orbassano, 47

tel. 011 985 06 83, Fax 011 985 72 76

<http://www.laprealpina.net>; e-mail: lp@laprealpina.it

15/11/2013

Rev. 1