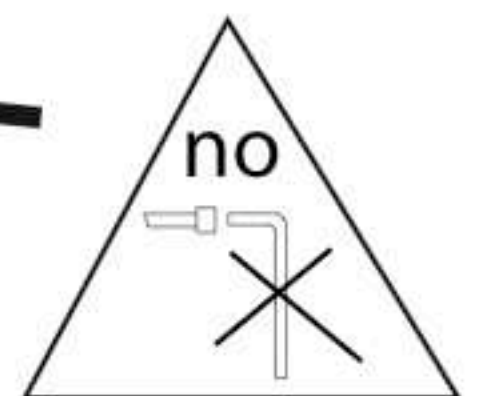
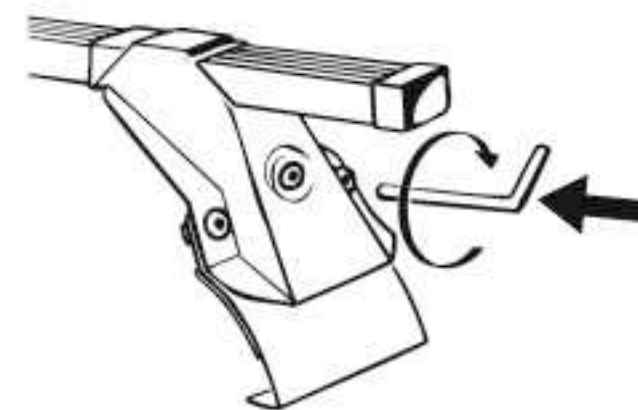
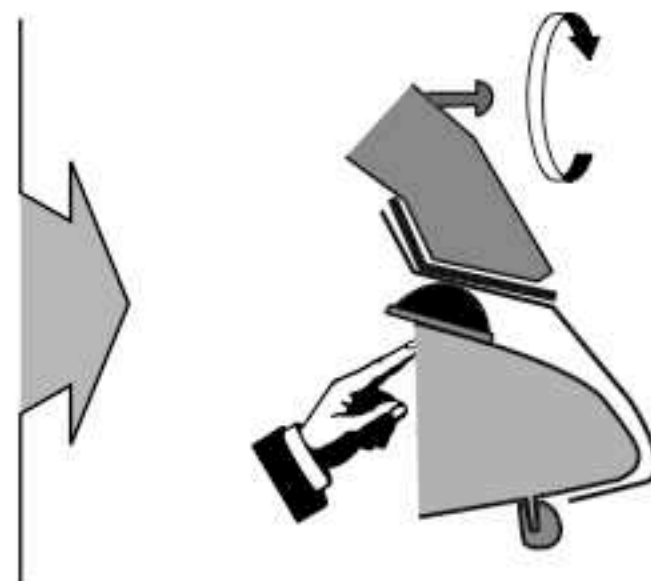
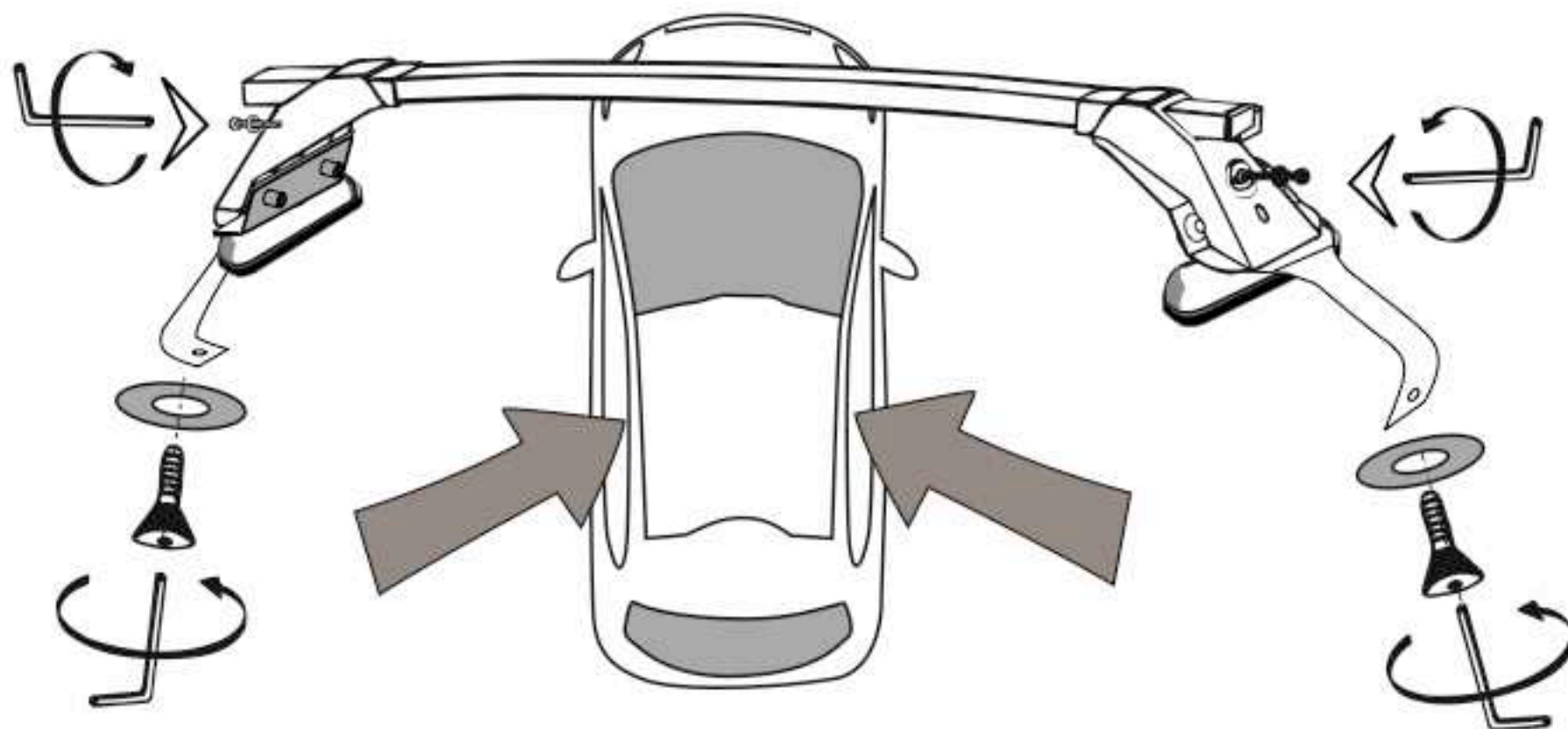
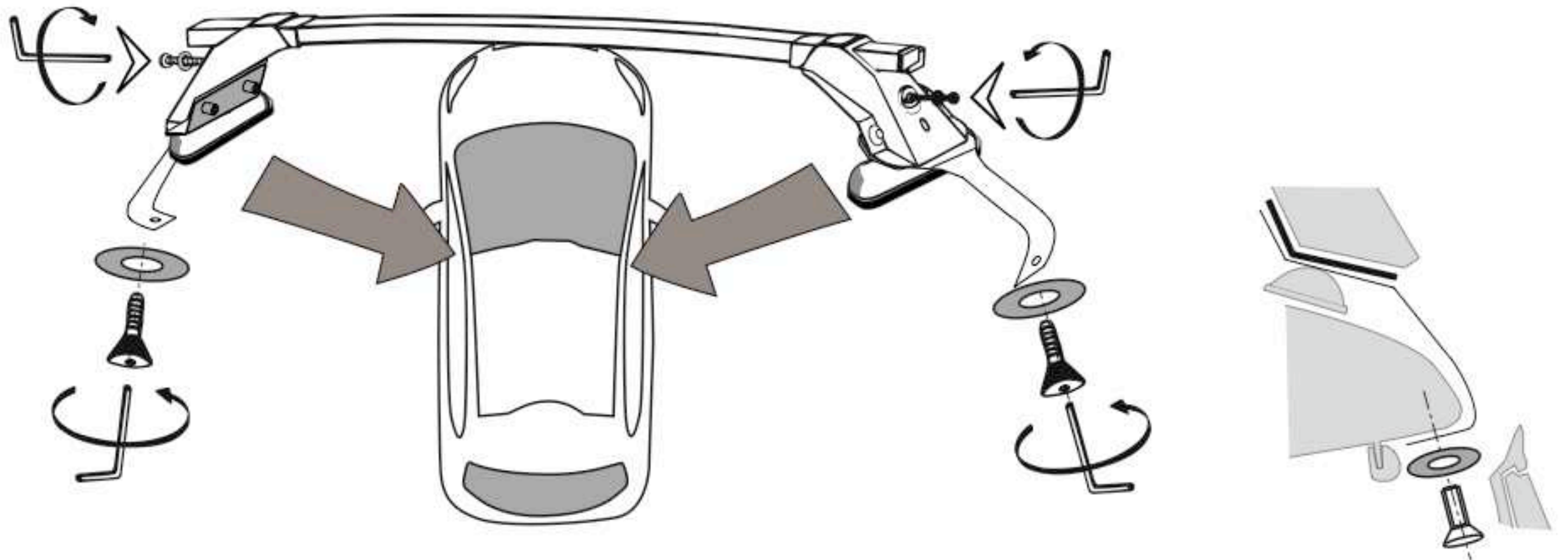
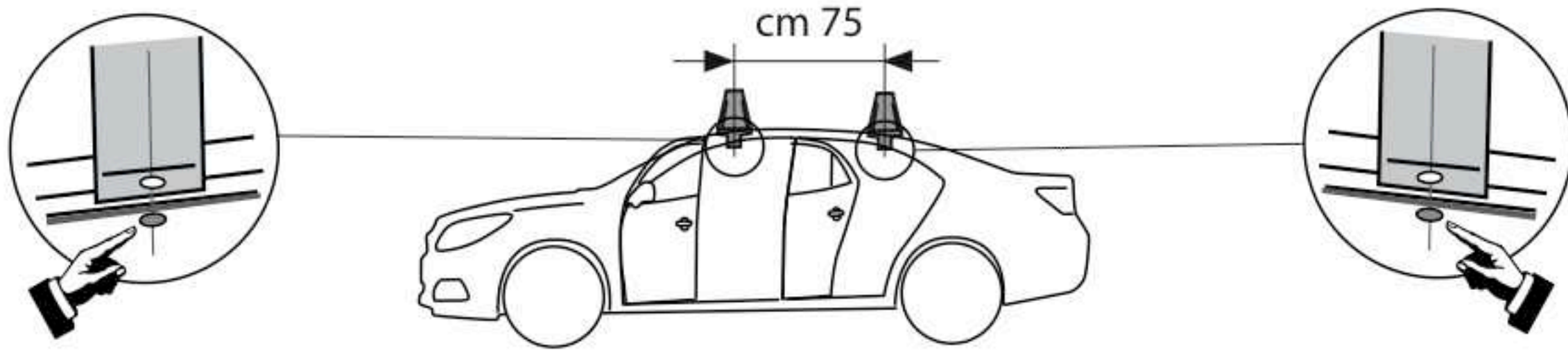


L1367 ŠKODA Octavia sedan model 2013

Patent pending

max
Kg. 75

L3



LA PREALPINA srl

INDUSTRIA ACCESSORI AUTO
10040 VOLVERA (Torino) ITALY
Strada Orbassano, 47

tel. 011 985 06 83, Fax 011 985 72 76

<http://www.laprealpina.net>; e-mail: lp@laprealpina.it

11/06/2013

Rev. 0